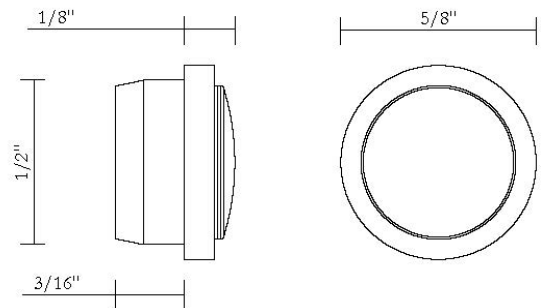




► **EMERGENCY RELEASE BUTTON HT1701-BN**

The Baldwin 0407 emergency release button is specified when a door may need to be unlocked from the outside. The press-fit cap can be removed to provide access to the lock mechanism, allowing one to disengage the bolt with any standard slotted screwdriver or flat key.

Available in custom finishes.



DIAMETER	PROJECTION	DEPTH
5/8"	1/8"	3/16"

Mfg: HT1701-00109-01