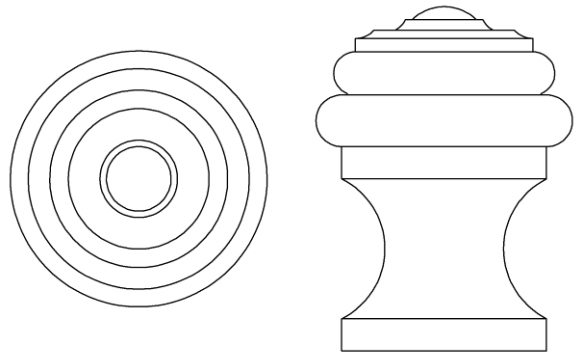




► DOOR STOP HT1967

The HT1967 is a cylindrical doorstop with an hourglass neck. The rubber bumper is available in black and gray.

The doorstop is available in custom finishes to coordinate with project requirements.



DIAMETER	PROJECTION	BUMPER HT.
1-1/2"	2"	1-5/16"