



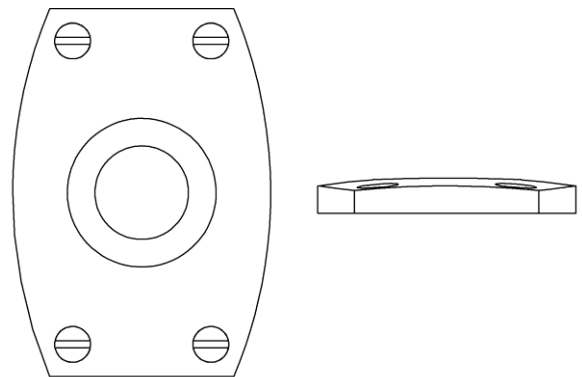
H . T H E O P H I L E

SINCE 1882



► **BACKPLATE HT3039v**

The HT3039v is a rounded rectangular backplate with visible screws. Available in a range of sizes to coordinate with knobs, levers, and cabinet pulls. Backplate thicknesses may vary based on handle selection.



Mfg: HT3039v