



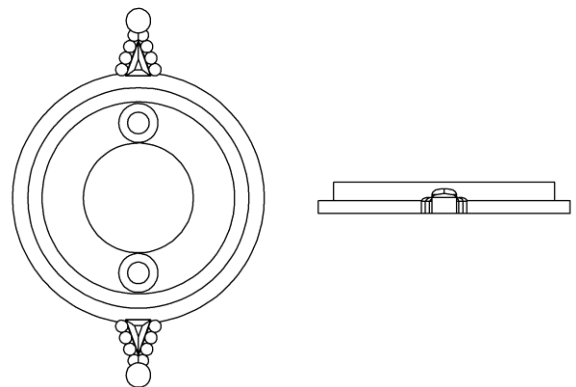
H . T H E O P H I L E

SINCE 1882



► **BACKPLATE HT3999**

The HT3999 backplate is a diminutive design with a flat, circular step and filigreed edges. Available in a range of sizes to coordinate with knobs, levers, and cabinet pulls. Backplate thicknesses may vary based on handle selection as well as mounting solutions.



Mfg: HT3999