



H . T H E O P H I L E

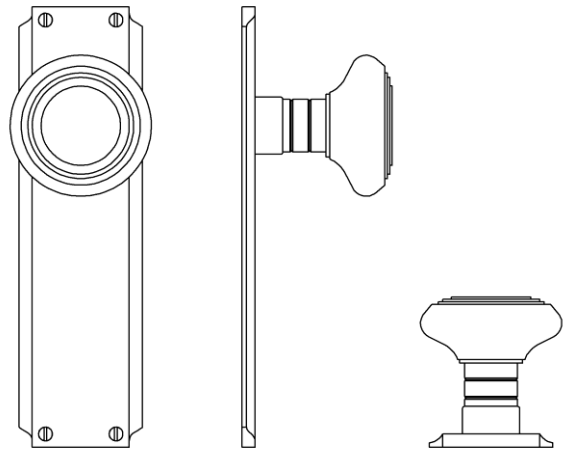
SINCE 1882



► **KNOB HT4077 - BACKPLATE HT3021v**

A handsome design from the Interwar period, the concentric circles of the HT4077 knob are bold and graphic.

Shown here with the period appropriate, elongated HT3021v backplate. See HT3021v for additional backplate information.



KNOB	BACKPLATE L x W	PROJECTION
2" diameter	6-1/4" x 1-3/4"	2-1/4"