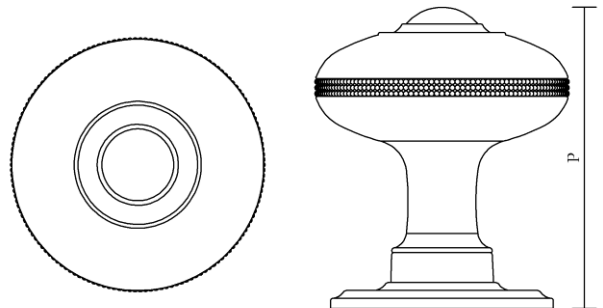




► **KNOB HT4085 - BACKPLATE HT3044**

This meticulous reproduction of a classical design from the Directoire Period features fine multi-layered beading.

The 2" round knob is shown here with a 1-3/4" round backplate. See HT3044 for additional backplate information.



KNOB	BACKPLATE	PROJECTION
1-7/8" diameter	1-3/4" diameter	2-1/4"
2" diameter	1-3/4" diameter	2-3/8"