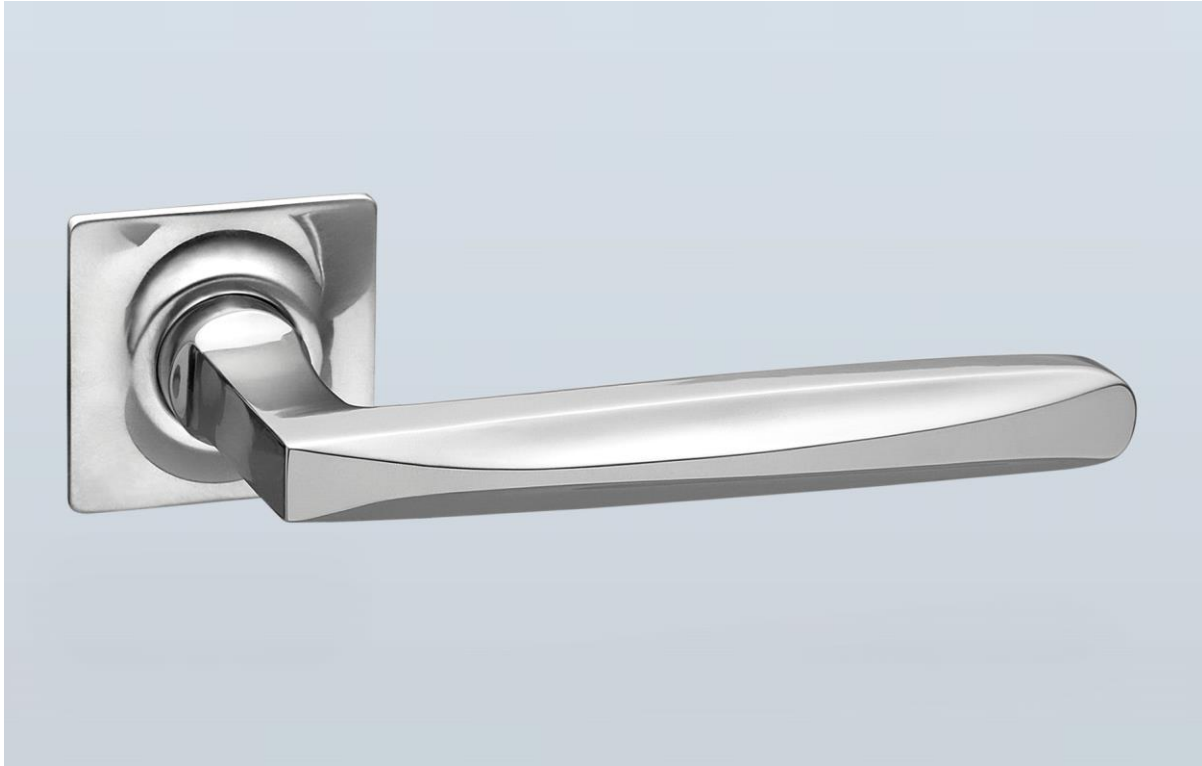




H . T H E O P H I L E

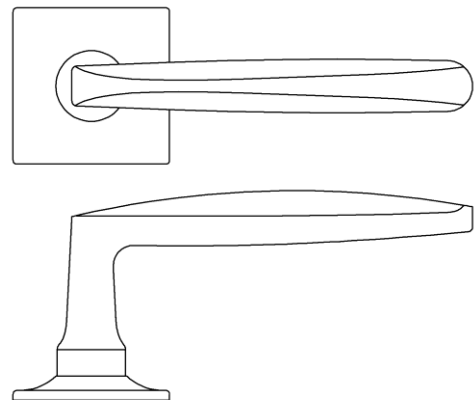
SINCE 1882



► **LEVER HT6004 - BACKPLATE HT3190**

The HT6004 lever is based on a late 1930s design from Northern Europe. With its carefully faceted and radiused edges, this lever has an extremely comfortable hand.

See HT3190 for additional backplate information.



LEVER LENGTH	BACKPLATE	PROJECTION
5-5/16" overall	2" square	2-11/16"