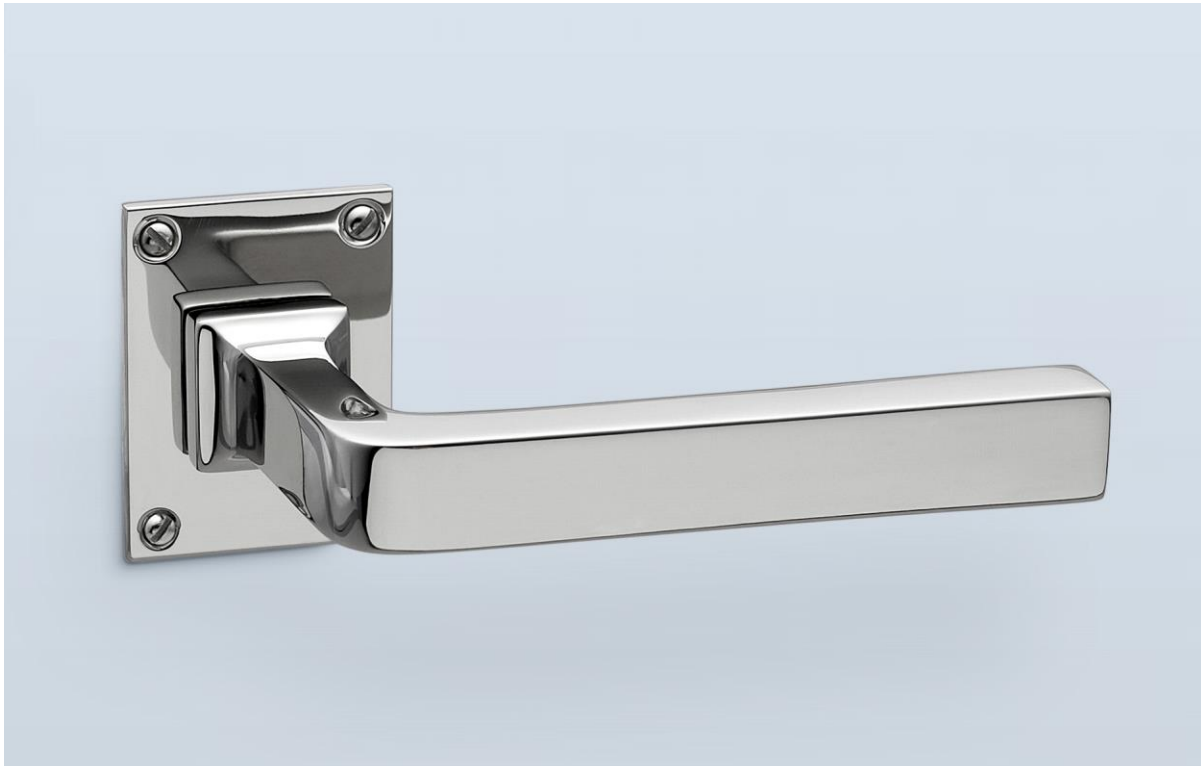




H . T H E O P H I L E

SINCE 1882



► LEVER HT6018 - BACKPLATE HT3100v

The simple geometric form of this lever resonates with both traditional and transitional decors.

The 4-1/4" lever is shown here with a 2-1/4" x 1-1/2" backplate. See HT3100v for additional backplate information.

LEVER LENGTH	BACKPLATE L x W	PROJECTION
3-3/4" overall	2-1/4" x 1-1/2"	2-3/8"
4-1/4" overall	2-1/4" x 1-1/2"	2-3/8"

