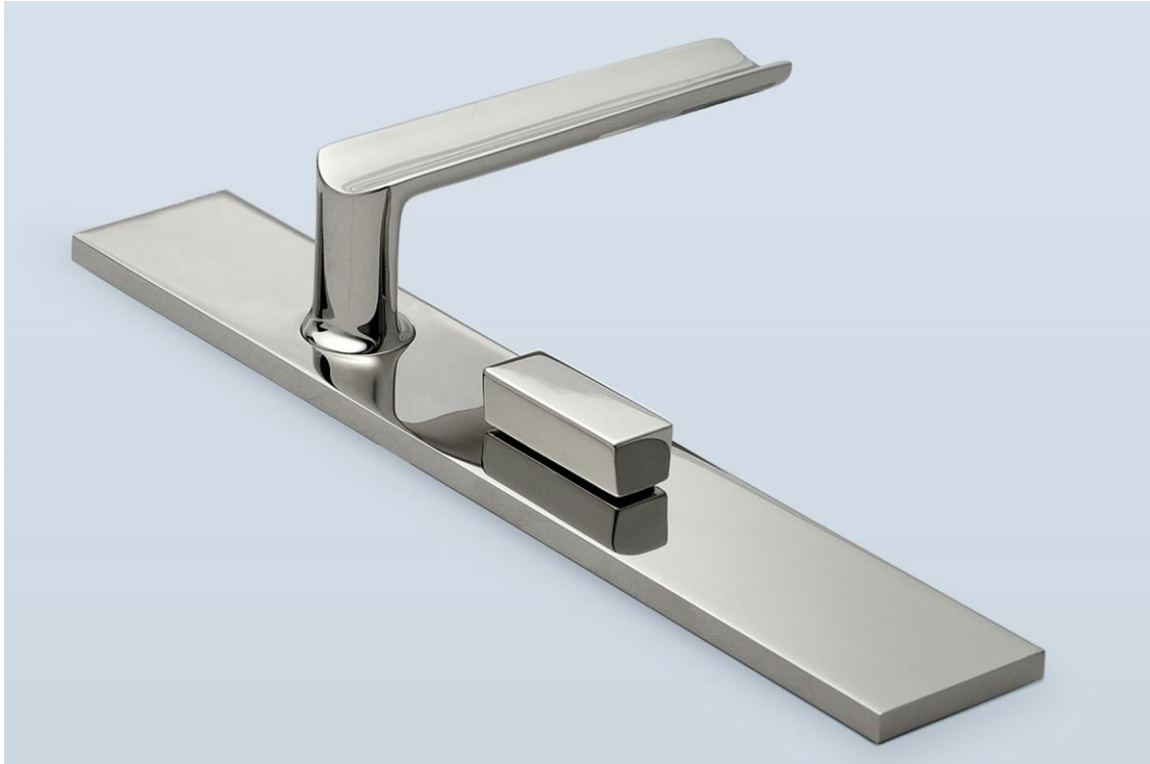




H . T H E O P H I L E

SINCE 1882



► LEVER HT6030 - BACKPLATE HT3100

The HT6030 lever is based on an original design by Walter Gropius, which cleverly plays with concave contouring to create an ergonomic handle.

The 4-3/4" lever is shown here with a 10" x 1-5/8" rectangular backplate. See HT3100 for additional backplate information.

LEVER LENGTH	BACKPLATE L x W	PROJECTION
4-1/8" overall	10" x 1-5/8"	1-13/16"
4-3/4" overall	10" x 1-5/8"	1-13/16"
5" overall	10" x 1-5/8"	1-13/16"

