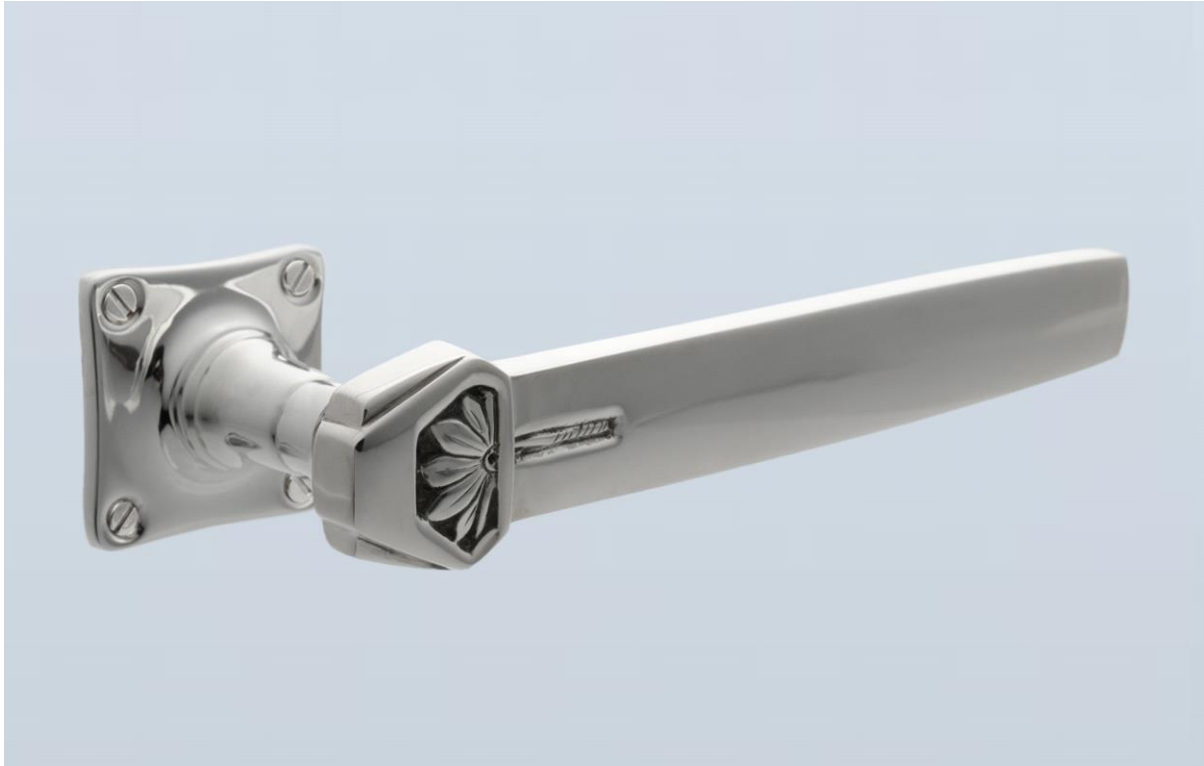




H . T H E O P H I L E

SINCE 1882



► LEVER HT6044 - BACKPLATE HT3019v

The stylized and encased floral motif of this antique design is typical of Jugendstil jewelry motifs, as are its tall proportions.

See HT3019v for additional backplate information.

LEVER LENGTH	BACKPLATE	PROJECTION
4-5/8" overall	1-3/8" square	2-1/4"

