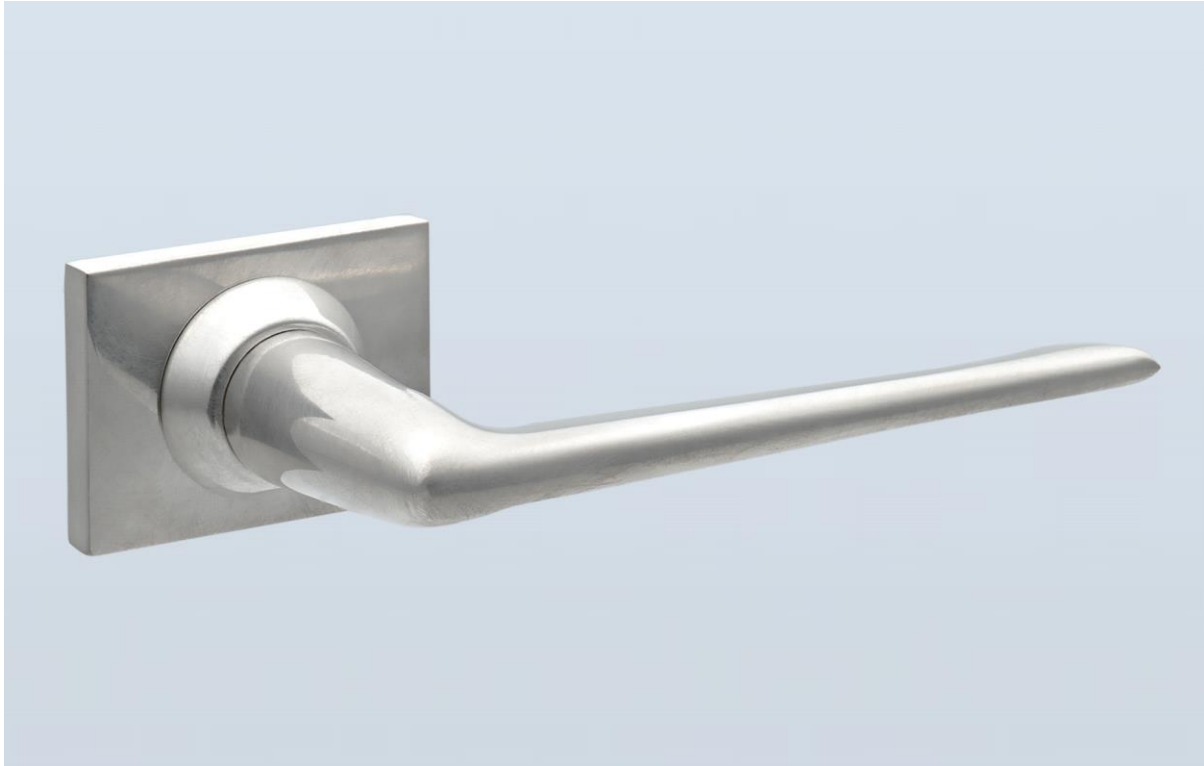




H . T H E O P H I L E

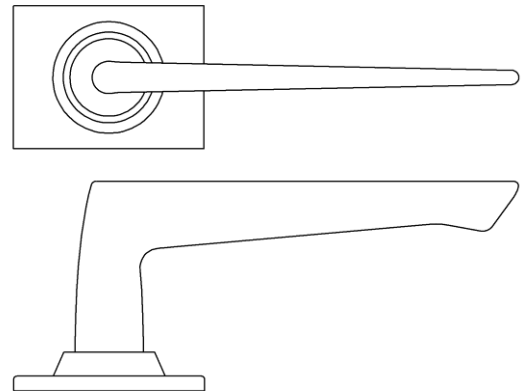
SINCE 1882



► LEVER HT6064 - BACKPLATE HT3185

A perfect example of Mid-Century style and function, the HT6064 lever integrates a flat tapering handle and round shaft. A stylized hook terminates the handle to complete the sculptural composition.

See HT3185 for additional backplate information.



LEVER LENGTH	BACKPLATE L x W	PROJECTION
4-1/2" overall	2" x 1-1/2"	2-3/16"