



H . T H E O P H I L E

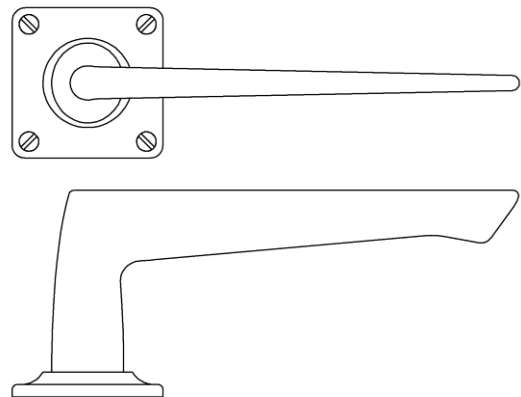
SINCE 1882



► LEVER HT6064 - BACKPLATE HT3190v

A perfect example of Mid-Century style and function, the HT6064 lever integrates a flat tapering handle and round shaft. A stylized hook terminates the handle to complete the sculptural composition.

Shown here with the HT3190v backplate from the same period. See HT3190v for additional backplate information.



LEVER LENGTH	BACKPLATE	PROJECTION
4-1/2"	1-1/2" square	2-1/16"