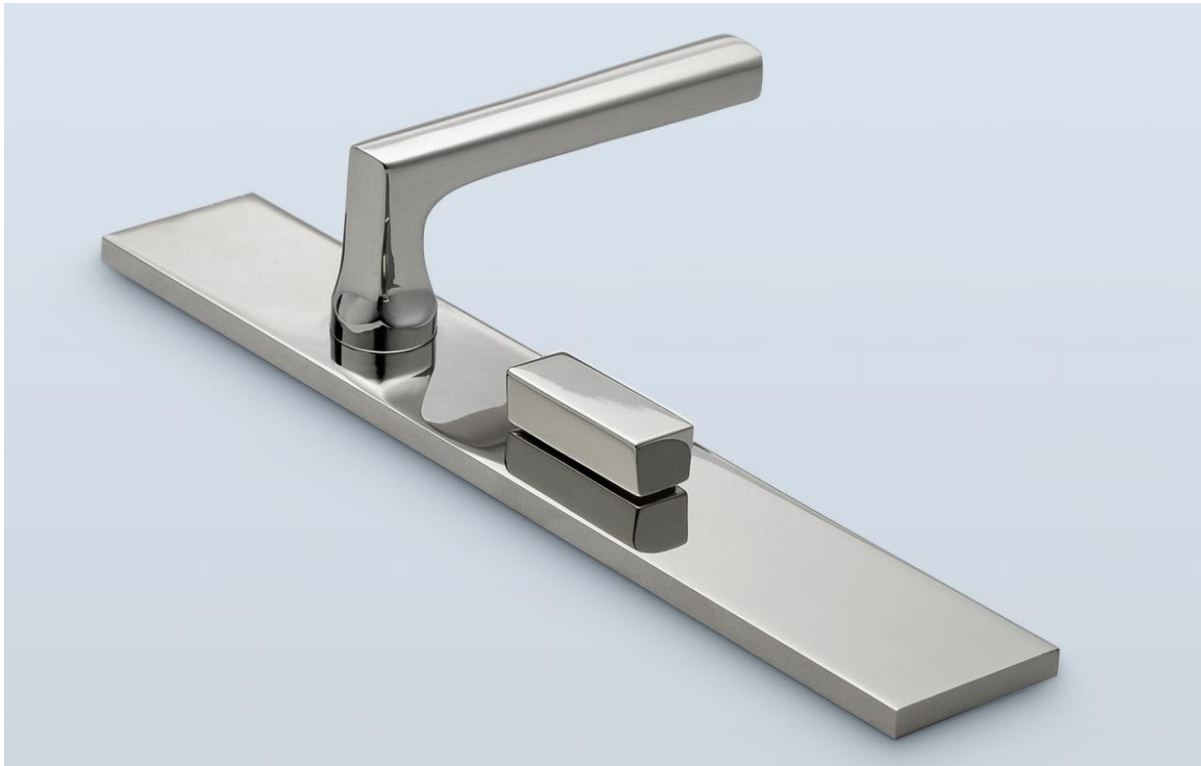




H . T H E O P H I L E

SINCE 1882



► LEVER HT6065 - BACKPLATE HT3100

A balanced and restrained design from the 1930s, the HT6065 lever is well-suited for a wide variety of interiors.

The 5" lever is shown here with a 10" x 1-1/2" rectangular backplate. See HT3100 for additional backplate information.

LEVER LENGTH	BACKPLATE L x W	PROJECTION
4-1/4" overall	10" x 1-1/2"	2-1/8"
4-1/2" overall	10" x 1-1/2"	2-1/8"
5" overall	10" x 1-1/2"	2-1/8"

