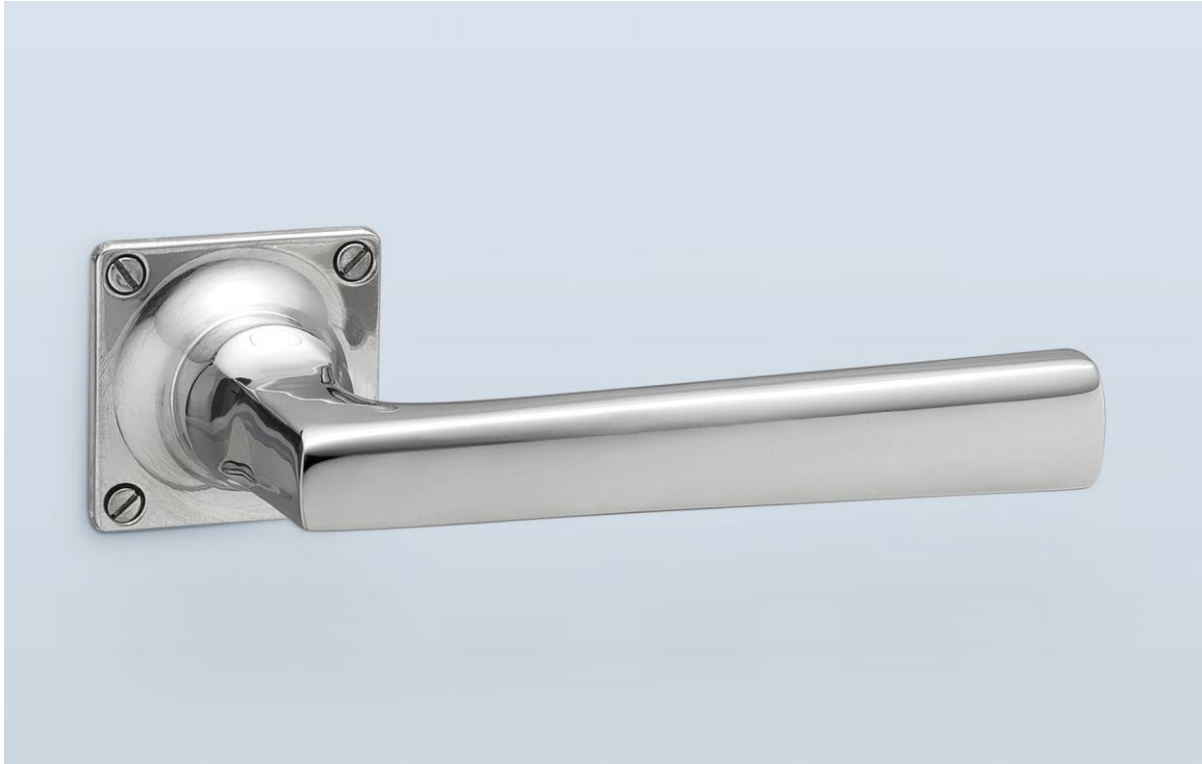




H . T H E O P H I L E

SINCE 1882



► **LEVER HT6065 - BACKPLATE HT3190v**

A balanced and restrained design from the 1930s, the HT6065 lever is well-suited for a wide variety of interiors.

The 5" lever is shown here with a 1-5/8" square backplate. See HT3190v for additional backplate information.

LEVER LENGTH	BACKPLATE	PROJECTION
4-1/4" overall	1-5/8" square	2-1/4"
4-1/2" overall	1-5/8" square	2-1/4"
5" overall	1-5/8" square	2-1/4"

