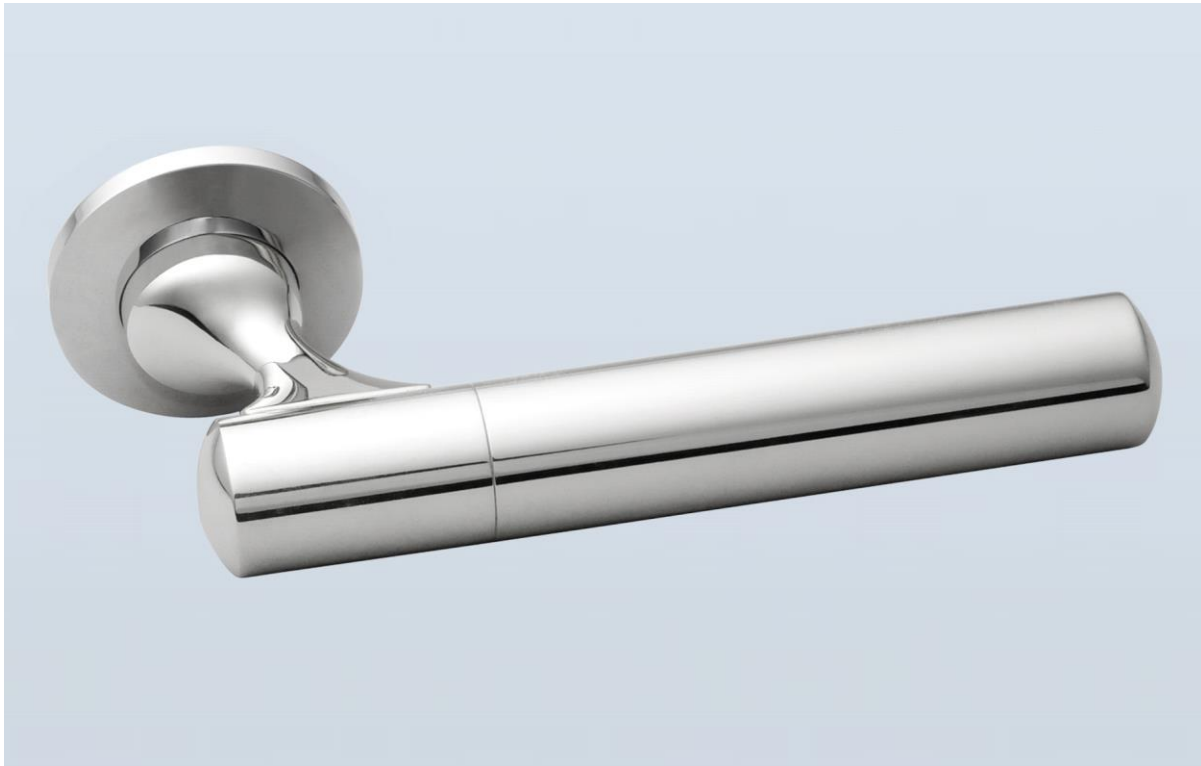




H . T H E O P H I L E

SINCE 1882



► LEVER HT6081 - BACKPLATE HT3001

The HT6081 lever design is streamlined and contemporary. Its offset configuration is useful for locations with narrow backsets.

The 6-3/16" lever is shown here with a 2" round backplate. See HT3001 for additional backplate information.

LEVER LENGTH	BACKPLATE	PROJECTION
4" overall	2" diameter	2-1/2"
5" overall	2" diameter	2-1/2"
6-3/16" overall	2" diameter	2-1/2"

