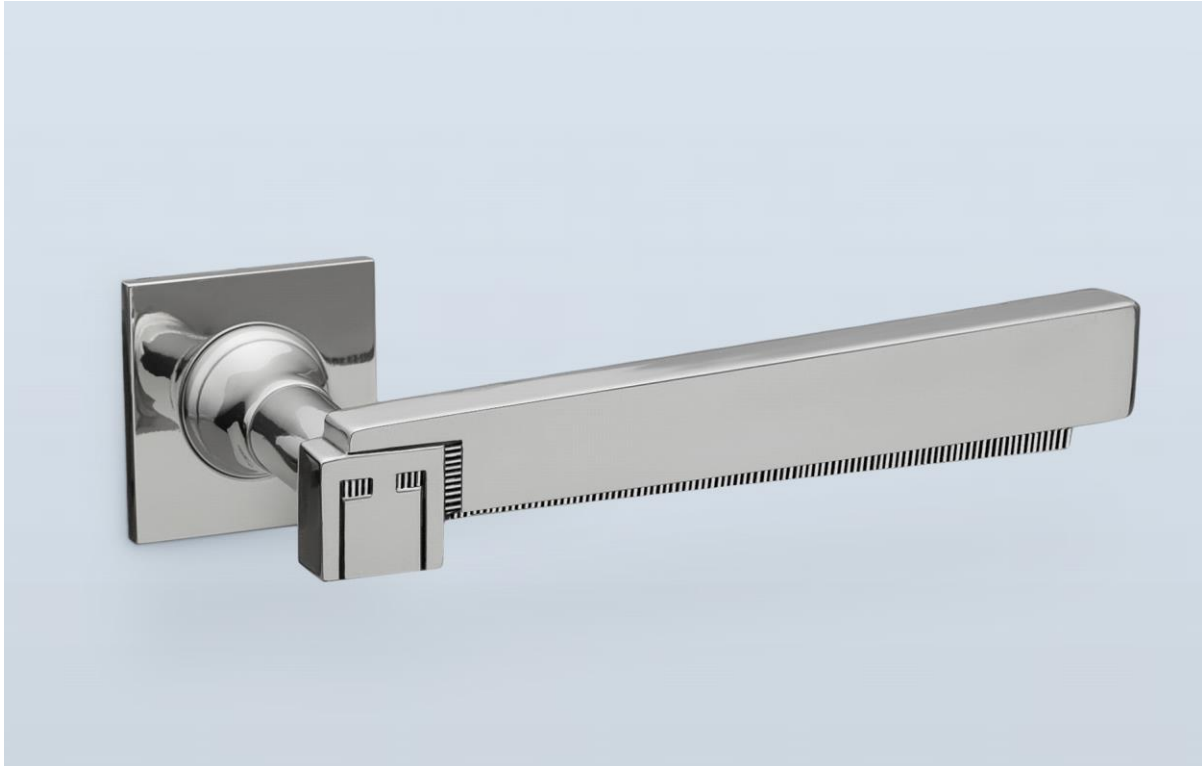




H . T H E O P H I L E

SINCE 1882



► **LEVER HT6087 - BACKPLATE HT3101**

The HT6087 lever dates from the late 1920s - a highly stylized Neoclassical design with finely etched decorative detailing.

The 5-1/8" lever is shown here with a 1-1/2" square backplate. See HT3101 for additional backplate information.

LEVER LENGTH	BACKPLATE	PROJECTION
4-3/4" overall	1-1/2" square	2-3/16"
5" overall	1-1/2" square	2-3/16"
5-3/8" overall	1-1/2" square	2-3/16"

