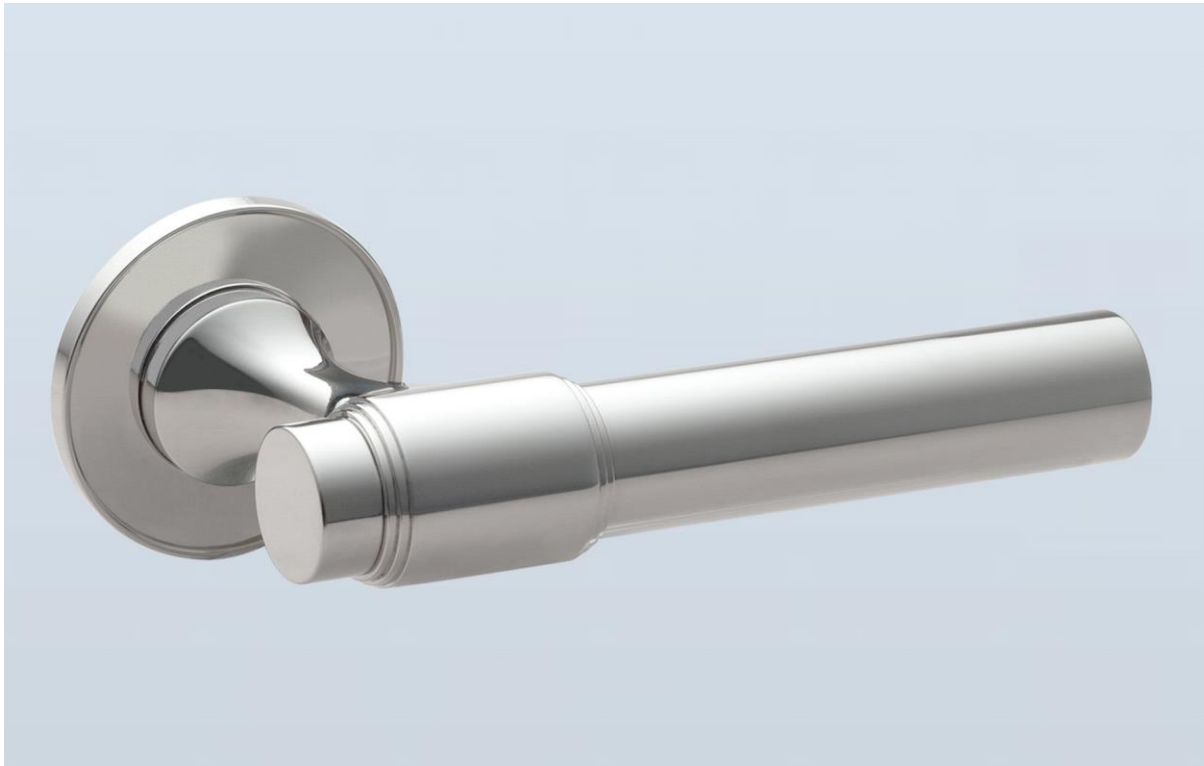




H . T H E O P H I L E

SINCE 1882



► LEVER HT6136 - BACKPLATE HT3068

Based on streamlined forms from the 1920s, the HT6136 lever is both functional and elegant for its offset handle design.

See HT3068 for additional backplate information.

LEVER LENGTH	BACKPLATE	PROJECTION
5-1/16" overall	2-1/8" diameter	2-7/16"

