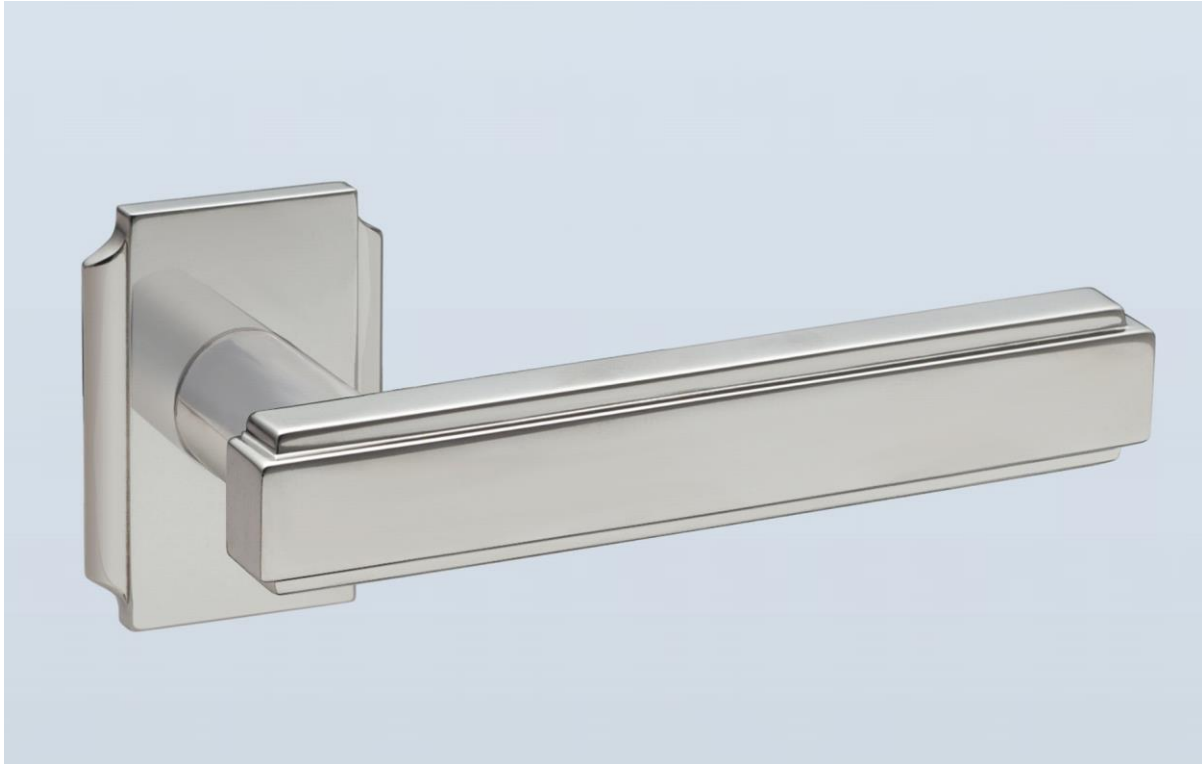




H . T H E O P H I L E

SINCE 1882



► LEVER HT6169 - BACKPLATE HT3021

The HT6169 lever is a versatile period handle; a well-proportioned and clean-lined example of the American Art Deco era of 1924. A wide variety of coordinating trims and handles are available.

The 5" lever is shown here with a 2-1/8" x 1-5/8" backplate. See HT3021 for additional backplate information.

See HT4049, HT6049, HT9049 and HT9211 for coordinating knob, lever, cabinet pull, and T-pull designs.

LEVER LENGTH	BACKPLATE L x W	PROJECTION
5" overall	2-1/8" x 1-5/8"	1-7/8"

