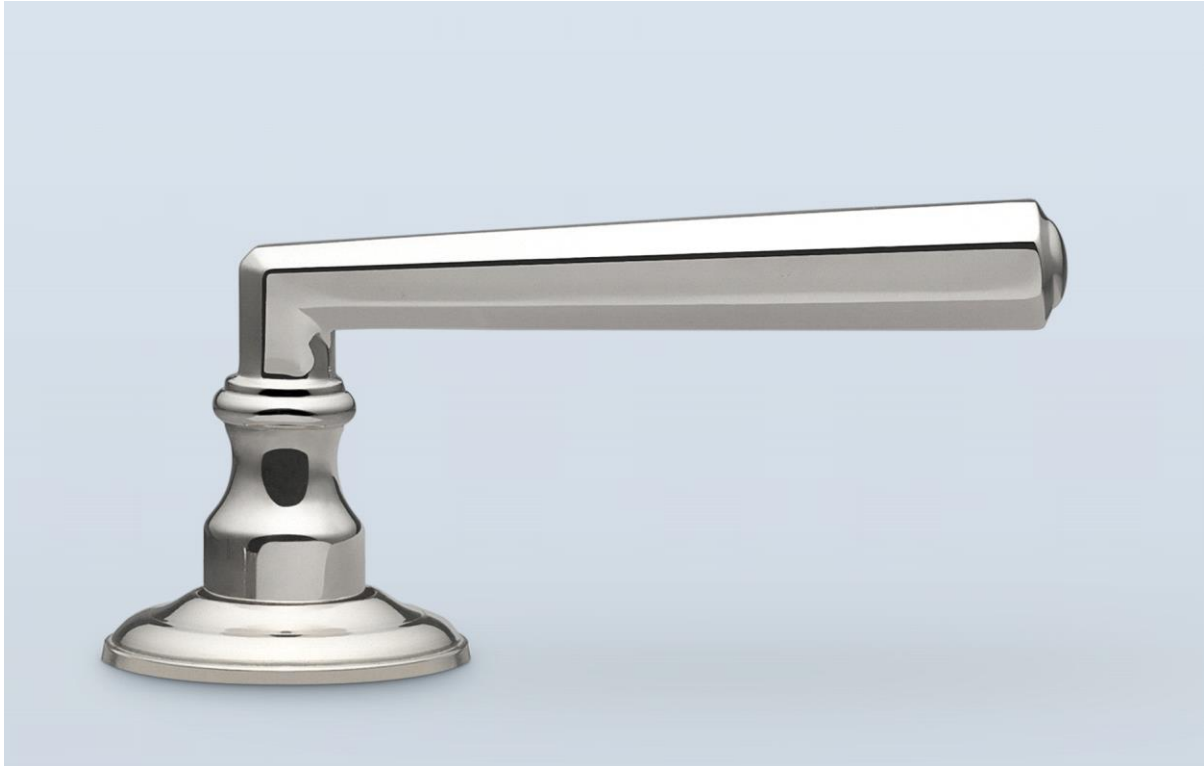




H . T H E O P H I L E

SINCE 1882



► LEVER HT6281 - BACKPLATE HT3075

A colonial revival design from the 1920s, the HT6281 lever has an elegant silhouette, comfortable to the hand with its faceted surfaces.

The 4-5/16" lever is shown here with a 1-7/8" round backplate. See HT3075 for additional backplate information.

See HT6280 for coordinating lever design.

LEVER LENGTH	BACKPLATE	PROJECTION
4-5/16" overall	1-7/8" diameter	2-1/2"
5" overall	1-7/8" diameter	2-1/2"

