

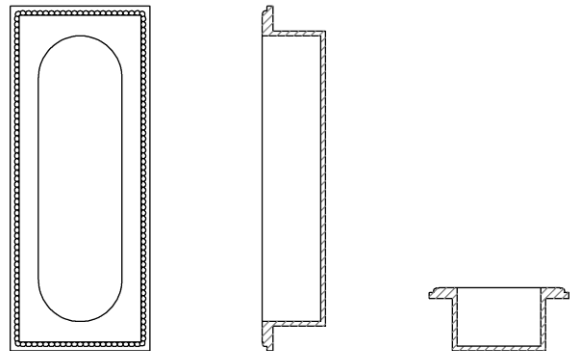


► RECESSED PULL HT9093b

The HT9093b recessed pull features a beaded perimeter around its racetrack window.

This pull can be used as a sash lift or on sliding doors, and can be adapted for swing doors with privacy and keyed functions; specify when ordering.

A minimal box depth (mortised depth behind face frame) is shown; other depths are also available.



LENGTH	WIDTH	PROJECTION	BOX DEPTH
4"	1-5/8"	1/8"	7/16"