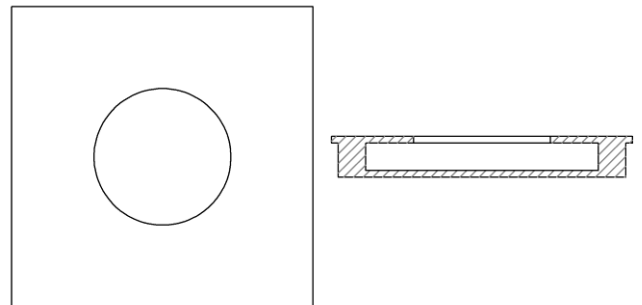


► RECESSED PULL HT9413

The HT9413 is a square recessed pull with a round window.

This pull can be used on sliding or swing doors and can be adapted for privacy and keyed functions; specify when ordering.

A minimal box depth (mortised depth behind face frame) is shown; other depths are also available.



LENGTH	WIDTH	PROJECTION	BOX DEPTH
5-1/2"	5-1/2"	1/8"	7/16"